

COOL washbasin cabinet 2 drawers 60 cm wide. Marine board, Matte White finish.



Description

- Wall hung basin unit with 2 drawers, 60cm wide.
- Marine board, Matt White finish.
- Interior of the unit and drawers Anthracite color.
- Unit made of 19 mm thick boards,
- System for hanging the unit with safety lock.
- Legs (optional).
- Towel rack (optional).
- Drawbox (optional): Drawer interior divider.

Suggested text for prescription

Wall hung basin unit, model COOL with 2 drawers, wood Marine Board, Matt White finish. Ultra-slim metal drawers, with full extraction, silent closing system and 3 adjustment settings, no tools required. Dimensions: 60 width x 45 depth x 54 height (cm).

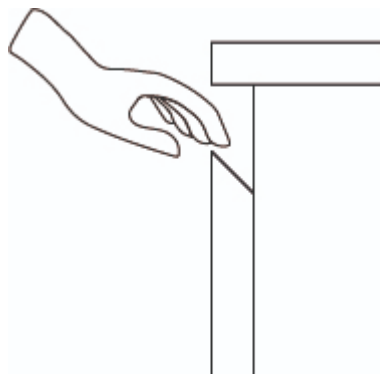
Drawers

- Metal drawers with silent closing system and 3 adjustment settings: height, side and depth. No tools required.
- Full extraction drawers and soft closing system.
- Ultra-slim drawers 2 mm thick.
- Upper drawer 12 cm high. With recess for siphon.
- Lower drawer 15 cm high.
- Drawer base in marine board.

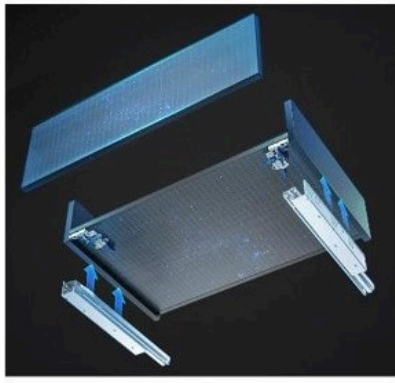
Technical characteristics

- Material:** Marine Board
- Finishing:** Matte White
- Dimensions:** 60 wide x 45 deep x 54 high (cm)
- Handle:** Inletted fingernail
- Total load:** 40 kg

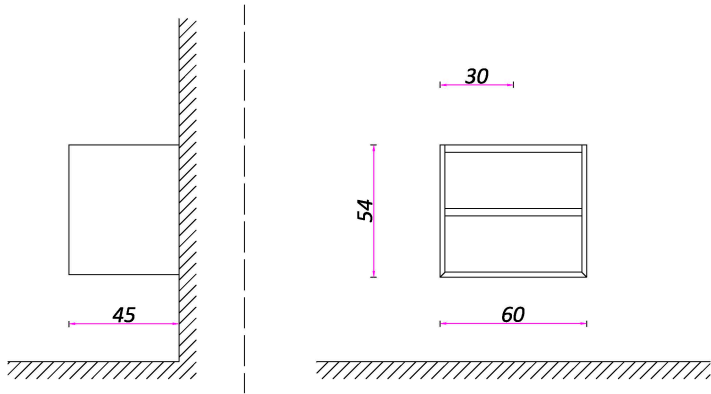
HANDLE options for MATT OR GLOSS LACQUERED colours



Drawer Details



Dimensional drawing



Ctra. Laureà Miró, 385-387
08980 | Sant Feliu de Llobregat,
Barcelona - Spain
T. +34 934 742 423
F. +34 934 743 548
nofer@nofer.com
www.nofer.com

RELATED
PRODUCTS



CL.080.WM



CL.100.WM

These specifications may be modified and/or amended due to manufacturing requirements.